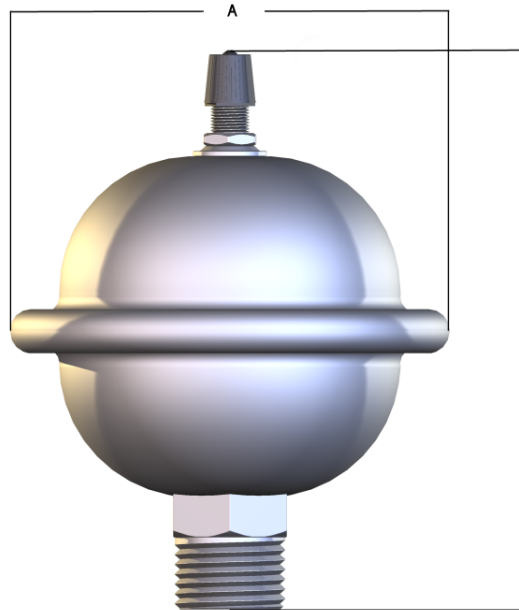




**BOSS Water Shock Arrestor 1/2"**



**BOSS Water Shock Arrestor 1/2"**

Type	Dimensions		Connection	Gas charge (bar)	Capacity (litres)	Max. working pressure (bar)	Order code
	Diameter A	Height H					
19713056	84	102	1/2"M	3,5	0,162	15	19713056

**Description:** Absorbs the back flow when water flow is suddenly stopped. Helps Prevent damage to pipes and fittings caused by water hammer.

The BOSS Water Shock Arrestor 1/2" absorbs the pressure wave before it can develop in to water hammer. It comprises of two volumes separated by a rubber diaphragm on one side there is a gas cushion under pressure while the other side is in contact with the instillation. The pressure wave is absorbed when the gas cushion is compresses

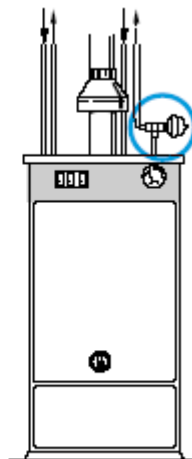
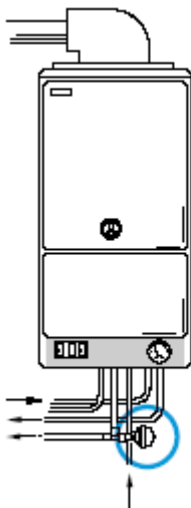
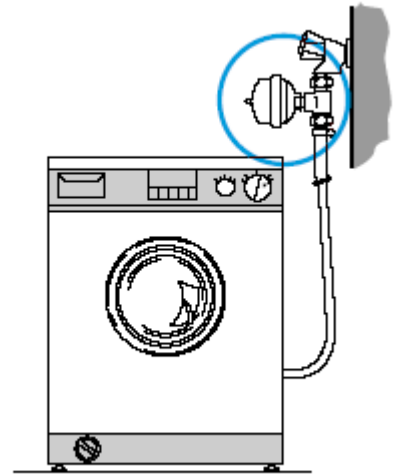
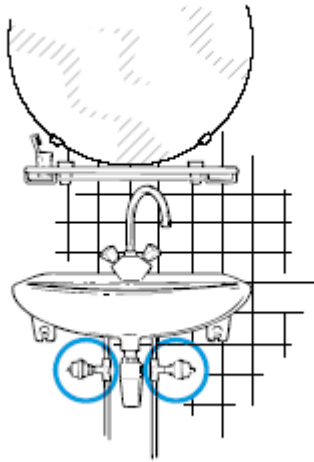
**Materials:** Rubber diaphragm consists of EPDM  
Body material AISI 304 L stainless steel

**Technical:** Working temperatures between -10°C & +100°C  
Maximum Peak (Hammer) Pressure 20 bar

**BOSS Water Shock Arrestor 1/2"**

**Application range:**

- Washing & dishwashing machines
- Rapidly closing valves
- Toilet flush valves
- Hot water apparatus



**Instillation:**

The BOSS Water Shock Arrestor 1/2" should be installed as close as possible (On the inlet side), to the apparatus which is causing the back-pressure. Mounting the Flexfit in the vertical position gives the best results however other orientations are acceptable