

SCHIEDEL

RITE-VENT



**NEW
EDITION**

JUNE 2009

Distributed by:



Pipeline & Heating Solutions

DOC/CP3/56A Issue 3 June 2009

WHAT FLUE?

**How to match
the appliance
to the flue**





Customer helpline: 0191 416 1150

What flue?

This guide shows how to match the correct flue with heating and hot water appliances. The flue type recommended against each product is based on a "standard flue installation", with a total flue length of approximately six metres. If the flue

system offered is of greater length than six metres, or requires an excessive amount of bends and/or long horizontal runs, please contact Schiedel Rite-Vent Commercial Department on **0191 416 1150**.

Contents	Page
Technical Support and Design Advice	4
CE Marking of Metal Chimneys and Flues	5-7
Flue Specifications	8-9
Typical Installation Drawings	10-11
Ideal Boilers	12
Potterton Boilers	14
Andrews Water Heaters	16
State Water Heaters	18
AO Smith Water Heaters	20
Powrmatic Heaters	22
Roberts Gordon	26
ACV Boilers	28
Hoval	30
Hamworthy Heating Ltd	40
Broag Remeha	42
Boss	46
Vaillant	48

Although every care has been taken to ensure the accuracy of the information contained in this booklet we reserve the right to improve or change specifications.

Technical Support

Flue sizing and design consultation

Supply-and-fix service via accredited specialist installers

First class delivery and after sales service

Manufactured in accordance with appropriate European Standards under Quality Assurance BS EN ISO 9001:2000

Customer helpline: 0191 416 1150
www.Schiedel.co.uk

Design Advice

Fan dilution systems

Generator/CHP exhaust systems

Smoke extraction ducts

Fire-rated ducts to BS 476 pt 20 (4 hrs)

Chimney relining systems

Freestanding chimney

Double-skin chimneys

Multi-flue chimneys

Guyed chimneys

Lattice masts (square, triangular etc.)

Structure-mounted chimneys

Building-supported chimneys

Offshore oil and gas applications

Industrial process fume extraction

Air movement/ventilation systems

Kitchen extract

CE Marking of Metal Chimneys and Flues

A new European Harmonised Standard for the construction and installation of flues and chimneys was introduced on 1st April 2005. This is EN 1856 pt 1; Performance requirements for metal chimney systems (i.e. twin wall prefabricated chimney systems and liners fitting within an enclosed structure).

EN 1856 is different from the existing national standards it has replaced in three key ways:

- It introduces a user-readable classification system which designates the features of the product
- It introduces a requirement for certified product factory control, ensuring that the product you receive is in conformance with the performance designation. This is in addition to any existing ISO 9000 factory quality scheme.
- It introduces a requirement for manufacturers to make available performance and installation information. In particular the manufacturer will designate the intended use and installation of a product, relating this to the features classified. This will be of particular importance in the light of the intended EU Directive on product liability.

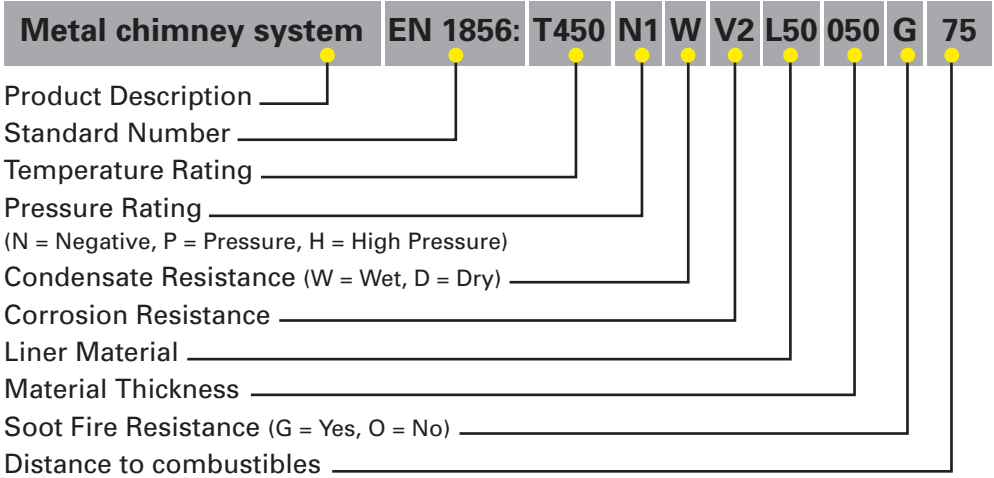
For the standards so far released, Schiedel Rite-Vent products have achieved designations suitable for all normal applications, both domestic and commercial. This means that Rite-Vent Schiedel chimney products can be specified and installed with confidence.

For further information and/or a copy of our Technical Guidance leaflet on the new European Harmonised Standard, contact Schiedel Rite-Vent on 0191 416 1150.

CE Designations

... and how to make sense of them

The CE Designation Marking System is laid out as follows:



Temperature Rating

Maximum temperature (°C) for continuous use of the flue. T450 is suitable for multifuel. T200 is suitable for gas and oil.

Pressure Rating

Expressed as **N** for negative pressure applications, **P** for positive pressure and **H** for high positive pressure. Maximum allowed leakage rates are as defined below.

	Leakage rate (1/sec/m ³)	Test pressure (Pa)
N1	2.0	40
P1	0.006	200
P2	0.12	200
H1	0.006	5000
H2	0.12	5000

For most applications, **N1** is suitable for conventional negative pressure boiler installations. **P1** is required for most positive pressure and fan flued boilers. **H** is for high pressure applications e.g. diesel generators, when the leakage rate is normally subject to specifier requirement.

Condensate Resistance

Suitability for wet or dry operation. **W** designates ability to contain condensate within the flue, i.e. operating in the wet and dry conditions created by condensing appliances. **D** designates ability to operate under dry conditions only, usually meaning a flue gas temperature high enough to avoid condensate formation.

Corrosion Resistance This is fuel dependent as follows:

- V1** Tested and approved as resistant to attack from products of combustion from gas.
- V2** Tested and approved as resistant to attack from products of combustion from light oil (sulphur content up to 0.2%) and natural wood.
- V3** Tested and approved as resistant to attack from products of combustion from heavy oil (sulphur content >0.2%) solid fuels and peat.
- Vm** Not tested and approved but rating declared by the manufacturer.

Liner Material Specification

Two features are specified, firstly a code for the minimum material grade and secondly material thickness:

L11	Aluminium 99% pure
L20	304
L30	304L
L40	316
L50	316L
Thickness	
e.g. 060 means 0.6mm	

Normally liners expected to withstand the corrosion effect of multifuel, wood or heavy oil are made with 316L. Light oil is less corrosive and normally 304 has proved adequate in dry conditions, but in the increasingly common wet conditions created by high efficiency boilers, a higher grade is required (316L).

Soot Fire Resistance

Expressed as either G, with soot fire resistance or O, without, followed by the declared minimum distance to combustibles expressed in mm. To obtain the G classification, means that the product has been tested at 1000°C for 30 minutes and remains intact and the temperature of combustible material at the designated distance does not exceed 100°C at T. amb. 20°C. Products with O classification mean the product is not rated as soot fire resistant. Normally this will occur with low temperature applications such as condensing gas boilers, where lip seals are used, which would not withstand a soot fire.

Distance to Combustibles

Defined in soot fire resistance above. This definition is easily misunderstood. It has to be read in conjunction with the soot fire resistance classification and is NOT a stand alone classification.

Flue specifications

Triplelock

Flexible flue liner for re-lining existing masonry chimneys, for use with Gas and Oil (28 second) appliances with a maximum flue gas temperature of 260°C. Available in diameters from 100mm to 400mm.

Tecnoflex

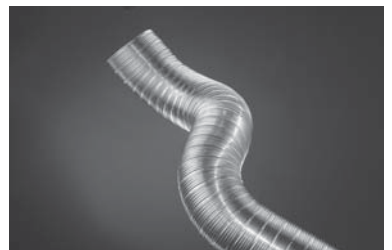
Multi fuel flexible flue liner for re-lining existing masonry chimney, for use with solid fuel. Available in diameters from 100mm to 400mm.

Commercial B Vent

Twin wall gas vent for gas atmospheric boilers and water heaters with a maximum flue gas temperature of 260°C. Available in diameters from 180mm to 300mm.

ICS

Twin wall insulated chimney system for gas,oil, wood and multifuel appliances. For use on large residential and commercial applications. Available in diameters from 80mm to 755mm.



ICS Plus

Twin wall insulated chimney system for gas and oil condensing appliances, in large residential and commercial applications. Available in diameters from 80mm to 755mm.

ICS 5000

Twin wall insulated exhaust system for gas and diesel generators and CHP units, suitable for positive pressures upto 7500 Pa. Available in diameters from 150mm to 75mm.

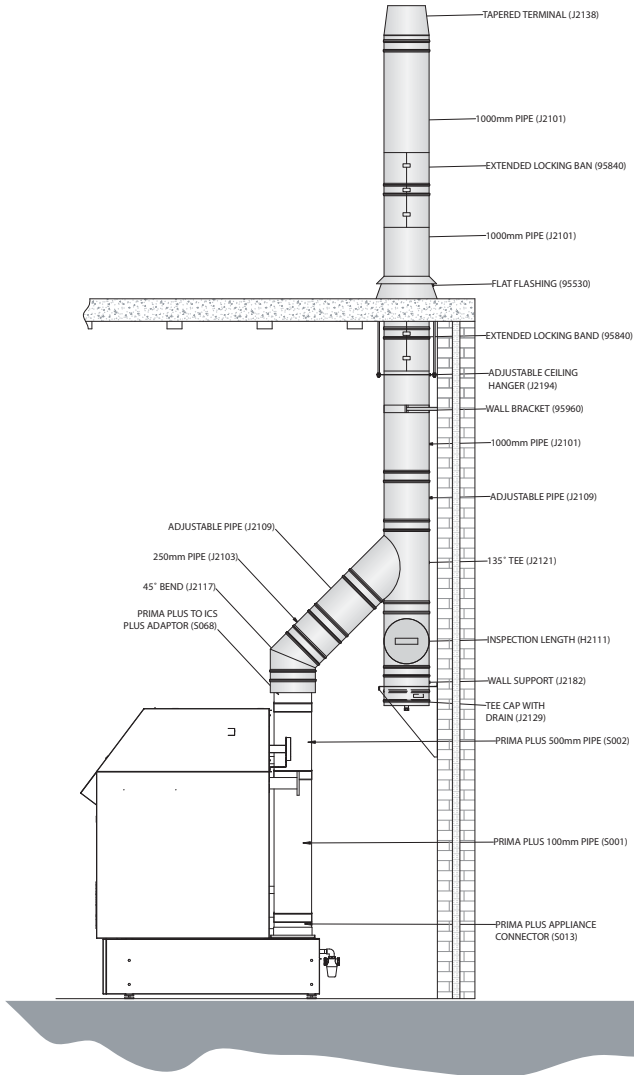
Prima Plus

Single wall flue system for gas, oil, wood and multifuel appliances, in large residential and commercial applications. Suitable for condensing appliances (with the addition of gasket) and re-lining chimneys. Available in diameters from 80mm to 755mm.

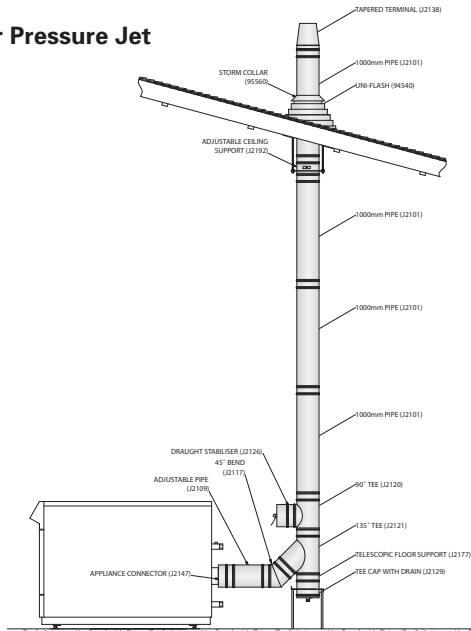


Typical Commercial Installations

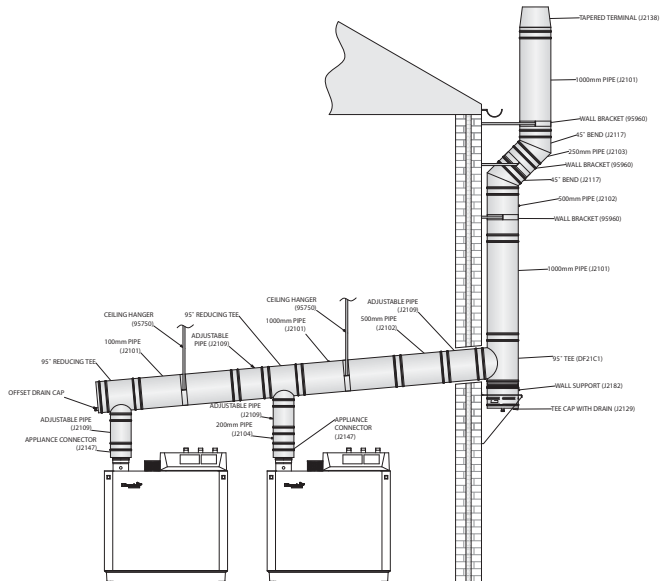
ICS Plus & Prima Plus Single Condensing Boiler



ICS-25 Single Boiler Pressure Jet



ICS Plus



IDEAL BOILERS

Boiler		Boiler Operation	
<i>Model</i>	<i>Size</i>	<i>Fuel</i>	<i>Burner Type</i>
Concord	40/50	Gas	Atmospheric
CXA/CXS	60/70	Gas	Atmospheric
	80/90/100	Gas	Atmospheric
	110/120	Gas	Atmospheric
Concord CXC	48/70/94/116	Gas	Condensing
Concord CXSI	110/120/140/160	Gas	Atmospheric
	180	Gas	Atmospheric
Concord ESi	140/160	Gas	Atmospheric
	180/200/220	Gas	Atmospheric
	260/300/340	Gas	Atmospheric
	380	Gas	Atmospheric
Imax W	W45/W60	Gas	Condensing
	W80/W100	Gas	Condensing
Imas Plus	F80/F120/F160	Gas	Condensing
	F200/F240/F280	Gas	Condensing
Imas Plus III	F95/F145/F190	Gas	Condensing
	F235/F285/F330	Gas	Condensing
Imax xtra	80/120/160	Gas	Condensing
	200/240/280/320	Gas	Condensing
	400/480/560	Gas	Condensing
Super Series 4	50	Gas	Pre-mix
	100	Gas	Pre-mix
	150	Gas	Pre-mix
	200/250	Gas	Pre-mix
	300	Gas	Pre-mix
	350/400	Gas	Pre-mix
	450/500	Gas	Pre-mix
Super Plus	550/600	Gas	Pre-mix
	200/2	Gas	Pre-mix
	300/3	Gas	Pre-mix
	400/4	Gas	Pre-mix
	300/3A	Gas	Pre-mix
	400/4A	Gas	Pre-mix
	500/5A	Gas	Pre-mix
600/6A	Gas	Pre-mix	
Vanguard L	170/240	Gas/Oil or Dual	Pressure Jet
	290/340/420/510/630	Gas/Oil or Dual	Pressure Jet
	760/870/970	Gas/Oil or Dual	Pressure Jet
	1100/1320	Gas/Oil or Dual	Pressure Jet

Flue Size	Flue Route/RV Range	
<i>Internal Dia mm</i>	<i>Internal</i>	<i>External</i>
150mm	B Vent	K Vent/ICS
180mm	Commercial B Vent	ICS
200mm	Commercial B Vent	ICS
250mm	Commercial B Vent	ICS
150mm	Prima Plus	ICS Plus
250mm	Commercial B Vent	ICS
300mm	Commercial B Vent	ICS
250mm	Commercial B Vent	ICS
300mm	Commercial B Vent	ICS
355mm	ICS	ICS
405mm	ICS	ICS
80mm	Prima Plus/ICS Plus	ICS Plus
100mm	Prima Plus/ICS Plus	ICS Plus
150mm	Prima Plus/ICS Plus	ICS Plus
200mm	Prima Plus/ICS Plus	ICS Plus
150mm	Prima Plus/ICS Plus	ICS Plus
200mm	Prima Plus/ICS Plus	ICS Plus
150mm	Prima Plus/ICS Plus	ICS Plus
200mm	Prima Plus/ICS Plus	ICS Plus
250mm	Prima Plus/ICS Plus	ICS Plus
130mm	ICS	ICS
180mm	ICS	ICS
200mm	ICS	ICS
250mm	ICS	ICS
300mm	ICS	ICS
355mm	ICS	ICS
405mm	ICS	ICS
455mm	ICS	ICS
250mm	ICS	ICS
355mm	ICS	ICS
455mm	ICS	ICS
355mm	ICS	ICS
455mm	ICS	ICS
455mm	ICS	ICS
455mm	ICS	ICS
455mm	ICS	ICS
200mm	ICS	ICS
250mm	ICS	ICS
355mm	ICS	ICS
405mm	ICS	ICS

IDEAL BOILERS (continued)

Boiler		Boiler Operation	
<i>Model</i>	<i>Size</i>	<i>Fuel</i>	<i>Burner Type</i>
Vanguard L	1570/1850	Gas/Oil or Dual	Pressure Jet
	2200/2650	Gas/Oil or Dual	Pressure Jet
	3000/3500	Gas/Oil or Dual	Pressure Jet
Buccanneer GTE	4/5	Gas/Oil or Dual	Pressure Jet
	6	Gas/Oil or Dual	Pressure Jet
Falcon GTS	4/5	Gas/Oil	Pressure Jet
	6/7/8	Gas/Oil	Pressure Jet
Harrier GTS	5/6	Gas/Oil or Dual	Pressure Jet
	7/8/9	Gas/Oil or Dual	Pressure Jet
Viceroy GTS	8/9/10	Gas/Oil or Dual	Pressure Jet
	11/12/13/14	Gas/Oil or Dual	Pressure Jet
Viscount GTS	14/15/16	Gas/Oil or Dual	Pressure Jet
	17/18/19/20	Gas/Oil or Dual	Pressure Jet
	21/22/23/24/25	Gas/Oil or Dual	Pressure Jet
GT Condenser	RCI 300/RCI 300V	Gas	Condenser Unit
	RCI 400/RCI 400V	Gas	Condenser Unit
	RCI 500/RCI 500V	Gas	Condenser Unit

POTTERTON BOILERS

Boiler		Boiler Operation	
<i>Model</i>	<i>Size</i>	<i>Fuel</i>	<i>Burner Type</i>
Derwent Compact A/Compact Plus	4/5	Gas	Atmospheric
Derwent Compact A/Compact Plus	6/7	Gas	Atmospheric
Derwent Compact A/Compact Plus	8	Gas	Atmospheric
Derwent Prestige Plus	8/9/10/11	Gas	Atmospheric
Derwent Prestige Plus	12/13/14/15/16	Gas	Atmospheric
Derwent Prestige Plus	17/18	Gas	Atmospheric
Derwent Prestige Plus	20/22	Gas	Atmospheric
Derwent Compact Condensing	4	Gas	Condensing
Derwent Compact Condensing	6	Gas	Condensing
Derwent Compact Condensing	8	Gas	Condensing
Eurocondense Two	90/120	Gas	Condensing
Eurocondense Two	160/200/250	Gas	Condensing
Eurocondense Two	320/400/500	Gas	Condensing
Paramount Two	30/40	Gas	Condensing
Paramount Two	60/80/95/115	Gas	Condensing
Rapido F110	3/4	Gas/Oil	Pressure Jet
Rapido F110	5/6	Gas/Oil	Pressure Jet
Rapido F210	5/6/7/8	Gas/Oil	Pressure Jet

Flue Size	Flue Route/RV Range	
<i>Internal Dia mm</i>	<i>Internal</i>	<i>External</i>
455mm	ICS	ICS
555mm	ICS	ICS
605mm	ICS	ICS
130mm	ICS	ICS
150mm	ICS	ICS
150mm	ICS	ICS
180mm	ICS	ICS
180mm	ICS	ICS
200mm	ICS	ICS
250mm	ICS	ICS
300mm	ICS	ICS
455mm	ICS	ICS
505mm	ICS	ICS
*	ICS	ICS
300mm	Prima Plus/ICS Plus	ICS Plus
355mm	Prima Plus/ICS Plus	ICS Plus
405mm	Prima Plus/ICS Plus	ICS Plus

Flue Size	Flue Route/RV Range	
<i>Internal Dia mm</i>	<i>Internal</i>	<i>External</i>
180mm	Commercial B Vent	ICS
200mm	Commercial B Vent	ICS
250mm	Commercial B Vent	ICS
250mm	Commercial B Vent	ICS
300mm	Commercial B Vent	ICS
350mm	ICS	ICS
400mm	ICS	ICS
180mm	Prima Plus/ICS Plus	ICS Plus
200mm	Prima Plus/ICS Plus	ICS Plus
250mm	Prima Plus/ICS Plus	ICS Plus
150mm	Prima Plus/ICS Plus	ICS Plus
180mm	Prima Plus/ICS Plus	ICS Plus
250mm	Prima Plus/ICS Plus	ICS Plus
80mm	Prima Plus/ICS Plus	ICS Plus
110mm	Prima Plus/ICS Plus	ICS Plus
130mm	ICS	ICS
150mm	ICS	ICS
180mm	ICS	ICS

POTTERTON BOILERS (continued)

Boiler		Boiler Operation	
<i>Model</i>	<i>Size</i>	<i>Fuel</i>	<i>Burner Type</i>
Rapido F210	9/10/11/12	Gas/Oil	Pressure Jet
NXR3	4/5/6/7	Gas/Oil	Pressure Jet
NXR3	8/9	Gas/Oil	Pressure Jet
NXR4	9/10/11	Gas/Oil	Pressure Jet
NXR4	12/13/14/15/16/17	Gas/Oil	Pressure Jet
Arizona Evolution	93/116/140/186/233/291	Gas/Oil	Pressure Jet
Arizona Evolution	360/420	Gas/Oil	Pressure Jet
Arizona Evolution	500/600	Gas/Oil	Pressure Jet
Arizona Evolution	730/820/1040	Gas/Oil	Pressure Jet
Arizona Evolution	1320	Gas/Oil	Pressure Jet
Arizona Evolution	1570/1850	Gas/Oil	Pressure Jet
Arizona Evolution	2200/2650	Gas/Oil	Pressure Jet
Arizona Evolution	3000/3500	Gas/Oil	Pressure Jet
Sirius WH	50/60/70	Gas	Condensing
Sirius WH	90/110	Gas`	Condensing
Sirius FS	90/105/130/160	Gas	Condensing

ANDREWS WATER HEATERS

Boiler		Boiler Operation	
<i>Model</i>	<i>Size</i>	<i>Fuel</i>	<i>Burner Type</i>
Standard Range	24/39	Gas	Atmospheric
Standard Range	32/40	Gas	Atmospheric
Standard Range	40/61	Gas	Atmospheric
Standard Range	63/62	Gas	Atmospheric
Standard Range	84/87	Gas	Atmospheric
Hi Flo Range	32/143	Gas	Atmospheric
Hi Flo Range	65/173	Gas	Atmospheric
Hi Flo Range	81/264	Gas	Atmospheric
Hi Flo Range	62/341	Gas	Atmospheric
Hi Flo Range	54/418	Gas	Atmospheric
Hi Flo Range	54/440	Gas	Atmospheric
Oil-Fired	OF40/100	Oil	Pressure Jet
Oil-Fired	OF59/135	Oil	Pressure Jet
Oil-Fired	OF58/204	Oil	Pressure Jet
Oil-Fired	OF86/287	Oil	Pressure Jet
Oil-Fired	OF77/436	Oil	Pressure Jet
Oil-Fired	OF73/654	Oil	Pressure Jet
Supa Flo R300	301	Gas	Condensing
Supa Flo R300	302	Gas	Condensing

Flue Size	Flue Route/RV Range	
<i>Internal Dia mm</i>	<i>Internal</i>	<i>External</i>
230mm	ICS	ICS
180mm	ICS	ICS
200mm	ICS	ICS
300mm	ICS	ICS
355mm	ICS	ICS
200mm	ICS	ICS
250mm	ICS	ICS
300mm	ICS	ICS
350mm	ICS	ICS
400mm	ICS	ICS
450mm	ICS	ICS
520mm	ICS	ICS
570mm	ICS	ICS
80mm	Prima Plus/ICS Plus	ICS Plus
110mm	Prima Plus/ICS Plus	ICS Plus
100mm	Prima Plus/ICS Plus	ICS Plus

Flue Size	Flue Route/RV Range	
<i>Internal Dia mm</i>	<i>Internal</i>	<i>External</i>
100mm	B Vent	K Vent/ICS
100mm	B Vent	K Vent/ICS
100mm	B Vent	K Vent/ICS
130mm	B Vent	K Vent/ICS
130mm	B Vent	K Vent/ICS
150mm	B Vent	K Vent/ICS
150mm	B Vent	K Vent/ICS
200mm	Commercial B Vent	ICS
200mm	Commercial B Vent	ICS
250mm	Commercial B Vent	ICS
250mm	Commercial B Vent	ICS
150mm	ICS	ICS
150mm	ICS	ICS
200mm	ICS	ICS
200mm	ICS	ICS
250mm	ICS	ICS
250mm	ICS	ICS
100mm	Prima Plus/ICS Plus	ICS Plus
100mm	Prima Plus/ICS Plus	ICS Plus

ANDREWS WATER HEATERS (continued)

Boiler		Boiler Operation	
<i>Model</i>	<i>Size</i>	<i>Fuel</i>	<i>Burner Type</i>
Supa Flo R300	303	Gas	Condensing
Supa Flo R300	304	Gas	Condensing
Supa Flo R300	305	Gas	Condensing
Supa Flo R300	306	Gas	Condensing
Supa Flo R300	307	Gas	Condensing
Supa Flo R2000	2017	Gas	Pre-mix
Supa Flo R2000	2022	Gas	Pre-mix
Supa Flo R2000	2028	Gas	Pre-mix
Supa Flo R2000	2034	Gas	Pre-mix
Supa Flo R2000	2041	Gas	Pre-mix
Supa Flo R2000	2048	Gas	Pre-mix
Supa Flo R2000	2056	Gas	Pre-mix
Supa Flo R2000	2066	Gas	Pre-mix
Supa Flo R2000	2077	Gas	Pre-mix
Supa Flo R2000	2090	Gas	Pre-mix
Supa Flo R2000	2105	Gas	Pre-mix
Supa Flo R2000	2122	Gas	Pre-mix
Supa Flo R2200	2207	Gas	Pre-mix
Supa Flo R2200	2210	Gas	Pre-mix
Supa Flo R2200	2213	Gas	Pre-mix
Supa Flo R2200	2216	Gas	Pre-mix
Supa Flo R2200	2220	Gas	Pre-mix
Supa Flo R2200	2224	Gas	Pre-mix
Supa Flo R2200	2228	Gas	Pre-mix
Supa Flo R18	132	Gas	Pre-mix
Supa Flo R18	154	Gas	Pre-mix
Supa Flo R18	180	Gas	Pre-mix
Supa Flo R18	210	Gas	Pre-mix
Supa Flo R18	244	Gas	Pre-mix
Supa Flo R18	280	Gas	Pre-mix

STATE WATER HEATERS

Boiler		Boiler Operation	
<i>Model</i>	<i>Size</i>	<i>Fuel</i>	<i>Burner Type</i>
PRV	30 NORS	Gas	Atmospheric
PRV	40 NORS	Gas	Atmospheric
PRV	50 NRRT	Gas	Atmospheric
SCE/SCT	75-75	Gas	Atmospheric
SCE/SCT	100-95	Gas	Atmospheric

Flue Size	Flue Route/RV Range	
<i>Internal Dia mm</i>	<i>Internal</i>	<i>External</i>
130mm	Prima Plus/ICS Plus	ICS Plus
150mm	Prima Plus/ICS Plus	ICS Plus
180mm	Prima Plus/ICS Plus	ICS Plus
200mm	Prima Plus/ICS Plus	ICS Plus
200mm	Prima Plus/ICS Plus	ICS Plus
200mm	ICS	ICS
230mm	ICS	ICS
250mm	ICS	ICS
250mm	ICS	ICS
300mm	ICS	ICS
300mm	ICS	ICS
355mm	ICS	ICS
355mm	ICS	ICS
405mm	ICS	ICS
405mm	ICS	ICS
455mm	ICS	ICS
455mm	ICS	ICS
150mm	ICS	ICS
180mm	ICS	ICS
200mm	ICS	ICS
200mm	ICS	ICS
250mm	ICS	ICS
250mm	ICS	ICS
300mm	ICS	ICS
455mm	ICS	ICS
505mm	ICS	ICS
555mm	ICS	ICS
605mm	ICS	ICS
655mm	ICS	ICS
705mm	ICS	ICS

Flue Size	Flue Route/RV Range	
<i>Internal Dia mm</i>	<i>Internal</i>	<i>External</i>
80mm	B Vent	K Vent/ICS
80mm	B Vent	K Vent/ICS
100mm	B Vent	K Vent/ICS
130mm	B Vent	K Vent/ICS
130mm	B Vent	K Vent/ICS

STATE WATER HEATERS (continued)

Boiler		Boiler Operation	
<i>Model</i>	<i>Size</i>	<i>Fuel</i>	<i>Burner Type</i>
Sandblaster	80-115	Gas	Atmospheric
Sandblaster	80-140	Gas	Atmospheric
Sandblaster	80-180	Gas	Atmospheric
Sandblaster	95-199	Gas	Atmospheric
Sandblaster	95-260	Gas	Atmospheric
Sandblaster	70-360	Gas	Atmospheric
Sandblaster	65/400	Gas	Atmospheric
Sandblaster	65-500	Gas	Atmospheric
SOF	85-220	Oil	Pressue Jet
SOF	85-260	Oil	Pressue Jet
SOF	85-300	Oil	Pressue Jet
SOF	75-390	Oil	Pressue Jet
SOF	75-470	Oil	Pressue Jet
SOF	70-700	Oil	Pressue Jet

AO SMITH WATER HEATERS

Boiler		Boiler Operation	
<i>Model</i>	<i>Size</i>	<i>Fuel</i>	<i>Burner Type</i>
EQ	115	Gas	Atmospheric
EQ	155	Gas	Atmospheric
EQ	200	Gas	Atmospheric
EQ	280	Gas	Atmospheric
EQ	380	Gas	Atmospheric
BTI	65	Gas	Atmospheric
BTI	85	Gas	Atmospheric
BTI	100	Gas	Atmospheric
ADM/R	40	Gas	Atmospheric
ADM/R	50	Gas	Atmospheric
ADM/R	60	Gas	Atmospheric
ADM/R	80	Gas	Atmospheric
ADM/R	90	Gas	Atmospheric
ADM/R	115	Gas	Atmospheric
ADM/R	135	Gas	Atmospheric
COF	199	Gas/Oil	Pressure Jet
COF	245	Gas/Oil	Pressure Jet
COF	315	Gas/Oil	Pressure Jet
COF	385	Gas/Oil	Pressure Jet
COF	455	Gas/Oil	Pressure Jet
COF	700	Gas/Oil	Pressure Jet

Flue Size	Flue Route/RV Range	
<i>Internal Dia mm</i>	<i>Internal</i>	<i>External</i>
130mm	B Vent	K Vent/ICS
130mm	B Vent	K Vent/ICS
150mm	B Vent	K Vent/ICS
180mm	Commercial B Vent	ICS
180mm	Commercial B Vent	ICS
200mm	Commercial B Vent	ICS
250mm	Commercial B Vent	ICS
250mm	Commercial B Vent	ICS
150mm	ICS	ICS
200mm	ICS	ICS
200mm	ICS	ICS
200mm	ICS	ICS
200mm	ICS	ICS
250mm	ICS	ICS

Flue Size	Flue Route/RV Range	
<i>Internal Dia mm</i>	<i>Internal</i>	<i>External</i>
80mm	B Vent	ICS
80mm	B Vent	ICS
100mm	B Vent	K Vent/ICS
130mm	B Vent	K Vent/ICS
130mm	B Vent	K Vent/ICS
100mm	B Vent	K Vent/ICS
130mm	B Vent	K Vent/ICS
130mm	B Vent	K Vent/ICS
150mm	B Vent	K Vent/ICS
150mm	B Vent	K Vent/ICS
180mm	Commercial B Vent	ICS
180mm	Commercial B Vent	ICS
230mm	Commercial B Vent	ICS
230mm	Commercial B Vent	ICS
230mm	Commercial B Vent	ICS
150mm	ICS	ICS
200mm	ICS	ICS
200mm	ICS	ICS
200mm	ICS	ICS
200mm	ICS	ICS
250mm	ICS	ICS

POWRMATIC HEATERS

Boiler		Boiler Operation	
<i>Model</i>	<i>Size</i>	<i>Fuel</i>	<i>Burner Type</i>
CP	100	Gas	Pressure Jet
CP	150	Gas	Pressure Jet
CP	200	Gas	Pressure Jet
CP	300	Gas	Pressure Jet
CP	400	Gas	Pressure Jet
CP	500	Gas	Pressure Jet
CP	600	Gas	Pressure Jet
CP	700	Gas	Pressure Jet
CP	800	Gas	Pressure Jet
CP	1000	Gas	Pressure Jet
CP	1250	Gas	Pressure Jet
CP	100	Oil	Pressure Jet
CP	150	Oil	Pressure Jet
CP	200	Oil	Pressure Jet
CP	300	Oil	Pressure Jet
CP	400	Oil	Pressure Jet
CP	500	Oil	Pressure Jet
CP	600	Oil	Pressure Jet
CP	700	Oil	Pressure Jet
CP	800	Oil	Pressure Jet
CP	1000	Oil	Pressure Jet
CP	1250	Oil	Pressure Jet
NCA	100	Gas	Pressure Jet
NCA	150	Gas	Pressure Jet
NCA	200	Gas	Pressure Jet
NCA	300	Gas	Pressure Jet
NCA	100	Oil	Pressure Jet
NCA	150	Oil	Pressure Jet
NCA	200	Oil	Pressure Jet
NCA	300	Oil	Pressure Jet
CA	500	Gas	Pressure Jet
CA	600	Gas	Pressure Jet
CA	700	Gas	Pressure Jet
CA	800	Gas	Pressure Jet
CA	1000	Gas	Pressure Jet
CA	1500	Gas	Pressure Jet
CA	2000	Gas	Pressure Jet
CA	500	Oil	Pressure Jet
CA	600	Oil	Pressure Jet

Flue Size	Flue Route/RV Range	
<i>Internal Dia mm</i>	<i>Internal</i>	<i>External</i>
130mm	Prima Plus	Prima Plus/ICS
130mm	Prima Plus	Prima Plus/ICS
130mm	Prima Plus	Prima Plus/ICS
150mm	Prima Plus	Prima Plus/ICS
150mm	Prima Plus	Prima Plus/ICS
180mm	Prima Plus	Prima Plus/ICS
180mm	Prima Plus	Prima Plus/ICS
180mm	Prima Plus	Prima Plus/ICS
200mm	Prima Plus	Prima Plus/ICS
200mm	Prima Plus	Prima Plus/ICS
200mm	Prima Plus	Prima Plus/ICS
130mm	Prima Plus	Prima Plus/ICS
130mm	Prima Plus	Prima Plus/ICS
130mm	Prima Plus	Prima Plus/ICS
150mm	Prima Plus	Prima Plus/ICS
150mm	Prima Plus	Prima Plus/ICS
180mm	Prima Plus	Prima Plus/ICS
180mm	Prima Plus	Prima Plus/ICS
180mm	Prima Plus	Prima Plus/ICS
200mm	Prima Plus	Prima Plus/ICS
200mm	Prima Plus	Prima Plus/ICS
200mm	Prima Plus	Prima Plus/ICS
130mm	Prima Plus	Prima Plus/ICS
130mm	Prima Plus	Prima Plus/ICS
130mm	Prima Plus	Prima Plus/ICS
150mm	Prima Plus	Prima Plus/ICS
130mm	Prima Plus	Prima Plus/ICS
130mm	Prima Plus	Prima Plus/ICS
130mm	Prima Plus	Prima Plus/ICS
150mm	Prima Plus	Prima Plus/ICS
130mm	Prima Plus	Prima Plus/ICS
130mm	Prima Plus	Prima Plus/ICS
130mm	Prima Plus	Prima Plus/ICS
150mm	Prima Plus	Prima Plus/ICS
180mm	Prima Plus	Prima Plus/ICS
180mm	Prima Plus	Prima Plus/ICS
180mm	Prima Plus	Prima Plus/ICS
200mm	Prima Plus	Prima Plus/ICS
200mm	Prima Plus	Prima Plus/ICS
300mm	Prima Plus	Prima Plus/ICS
300mm	Prima Plus	Prima Plus/ICS
180mm	Prima Plus	Prima Plus/ICS
180mm	Prima Plus	Prima Plus/ICS

POWRMATIC HEATERS (continued)

Boiler		Boiler Operation	
<i>Model</i>	<i>Size</i>	<i>Fuel</i>	<i>Burner Type</i>
CA	700	Oil	Pressure Jet
CA	800	Oil	Pressure Jet
CA	1000	Oil	Pressure Jet
CA	1500	Oil	Pressure Jet
CA	2000	Oil	Pressure Jet
EA	100	Gas/Oil	Pressure Jet
EA	150	Gas/Oil	Pressure Jet
EA	200	Gas/Oil	Pressure Jet
EA	300	Gas/Oil	Pressure Jet
EA	400	Gas/Oil	Pressure Jet
EA	500	Gas/Oil	Pressure Jet
EA	600	Gas/Oil	Pressure Jet
EA	700	Gas/Oil	Pressure Jet
EA	800	Gas/Oil	Pressure Jet
EA	1000	Gas/Oil	Pressure Jet
EA	1500	Gas/Oil	Pressure Jet
OUH	20	Oil	Pressure Jet
OUH	30	Oil	Pressure Jet
OUH	45	Oil	Pressure Jet
OUH	60	Oil	Pressure Jet
PTU/PTS	09	Gas	Pre-mix
PTU/PTS	12	Gas	Pre-mix
PTU/PTS	15	Gas	Pre-mix
PTU/PTS	25	Gas	Pre-mix
PTU/PTS	30	Gas	Pre-mix
PTU/PTS	35	Gas	Pre-mix
PTU/PTS	40	Gas	Pre-mix
PTU/PTS	45	Gas	Pre-mix
PTD	09	Gas	Pre-mix
PTD	12	Gas	Pre-mix
PTD	15	Gas	Pre-mix
PTD	25	Gas	Pre-mix
PTD	30	Gas	Pre-mix
PTD	35	Gas	Pre-mix
PTD	40	Gas	Pre-mix
PTD	45	Gas	Pre-mix
NV	10	Gas	Pre-mix
NV	15	Gas	Pre-mix
NV	20	Gas	Pre-mix

Flue Size	Flue Route/RV Range	
<i>Internal Dia mm</i>	<i>Internal</i>	<i>External</i>
180mm	Prima Plus	Prima Plus/ICS
200mm	Prima Plus	Prima Plus/ICS
200mm	Prima Plus	Prima Plus/ICS
300mm	Prima Plus	Prima Plus/ICS
300mm	Prima Plus	Prima Plus/ICS
130mm	Prima Plus	Prima Plus/ICS
130mm	Prima Plus	Prima Plus/ICS
130mm	Prima Plus	Prima Plus/ICS
150mm	Prima Plus	Prima Plus/ICS
150mm	Prima Plus	Prima Plus/ICS
180mm	Prima Plus	Prima Plus/ICS
180mm	Prima Plus	Prima Plus/ICS
180mm	Prima Plus	Prima Plus/ICS
200mm	Prima Plus	Prima Plus/ICS
200mm	Prima Plus	Prima Plus/ICS
300mm	Prima Plus	Prima Plus/ICS
100mm	Prima Plus	Prima Plus/ICS
100mm	Prima Plus	Prima Plus/ICS
130mm	Prima Plus	Prima Plus/ICS
130mm	Prima Plus	Prima Plus/ICS
130mm	Prima Plus	Prima Plus/ICS
130mm	Prima Plus	Prima Plus/ICS
130mm	Prima Plus	Prima Plus/ICS
130mm	Prima Plus	Prima Plus/ICS
130mm	Prima Plus	Prima Plus/ICS
130mm	Prima Plus	Prima Plus/ICS
130mm	Prima Plus	Prima Plus/ICS
130mm	Prima Plus	Prima Plus/ICS
130mm	Prima Plus	Prima Plus/ICS
130mm	Prima Plus	Prima Plus/ICS
130mm	Prima Plus	Prima Plus/ICS
130mm	Prima Plus	Prima Plus/ICS
130mm	Prima Plus	Prima Plus/ICS
150mm	Prima Plus	Prima Plus/ICS
150mm	Prima Plus	Prima Plus/ICS
150mm	Prima Plus	Prima Plus/ICS
150mm	Prima Plus	Prima Plus/ICS
150mm	Prima Plus	Prima Plus/ICS
80mm	Prima Plus	Prima Plus/ICS
80mm	Prima Plus	Prima Plus/ICS
80mm	Prima Plus	Prima Plus/ICS

POWRMATIC HEATERS (continued)

Boiler		Boiler Operation	
<i>Model</i>	<i>Size</i>	<i>Fuel</i>	<i>Burner Type</i>
NV	25	Gas	Pre-mix
NV	30	Gas	Pre-mix
NV	40	Gas	Pre-mix
NV	50	Gas	Pre-mix
NV	60	Gas	Pre-mix
NV	75	Gas	Pre-mix
NV	90	Gas	Pre-mix
NV	120	Gas	Pre-mix
NV	140	Gas	Pre-mix

ROBERTS GORDON

Boiler		Boiler Operation	
<i>Model</i>	<i>Size</i>	<i>Fuel</i>	<i>Burner Type</i>
Blackheat U-Tube	BH15UT	Gas	Pre-mix
Blackheat U-Tube	BH20UT	Gas	Pre-mix
Blackheat U-Tube	BH25UT	Gas	Pre-mix
Blackheat U-Tube	BH30UT	Gas	Pre-mix
Blackheat U-Tube	BH35UT	Gas	Pre-mix
Blackheat U-Tube	BH40UT	Gas	Pre-mix
Blackheat U-Tube	BH45UT	Gas	Pre-mix
Blackheat U-Tube	BH50UT	Gas	Pre-mix
Blackheat Linear	BH15ST	Gas	Pre-mix
Blackheat Linear	BH20ST	Gas	Pre-mix
Blackheat Linear	BH25ST	Gas	Pre-mix
Blackheat Linear	BH30ST	Gas	Pre-mix
Blackheat Linear	BH35ST	Gas	Pre-mix
Blackheat Linear	BH40ST	Gas	Pre-mix
Blackheat Linear	BH45ST	Gas	Pre-mix
Blackheat Linear	BH50ST	Gas	Pre-mix
Blackheat Double Linear	BH30DL	Gas	Pre-mix
Blackheat Double Linear	BH40DL	Gas	Pre-mix
Blackheat Double Linear	BH50DL	Gas	Pre-mix
Blackheat Double Linear	BH60DL	Gas	Pre-mix
Blackheat Double Linear	BH70DL	Gas	Pre-mix
Combat CTU	22	Gas	Pre-mix
Combat CTU	30	Gas	Pre-mix
Combat CTU	40	Gas	Pre-mix
Combat CTU	50	Gas	Pre-mix
Combat CTU	60	Gas	Pre-mix

ROBERTS GORDON (continued)

Boiler		Boiler Operation	
<i>Model</i>	<i>Size</i>	<i>Fuel</i>	<i>Burner Type</i>
Combat CTU	75	Gas	Pre-mix
Combat CTU	90	Gas	Pre-mix
Combat CTU	100	Gas	Pre-mix
Combat CTU	115	Gas	Pre-mix
Combat CTCU	7	Gas	Pre-mix
Combat CTCU	11	Gas	Pre-mix
Combat CTCU	15	Gas	Pre-mix
Combat CTCU	22	Gas	Pre-mix
Combat CTCU	27	Gas	Pre-mix
Combat CTCU	32	Gas	Pre-mix
Combat PGP/ECA	15	Gas	Pre-mix
Combat PGP/ECA	20	Gas	Pre-mix
Combat PGP/ECA	30	Gas	Pre-mix
Combat PGP/ECA	40	Gas	Pre-mix
Combat PGP/ECA	50	Gas	Pre-mix
Combat PGP/ECA	60	Gas	Pre-mix
Combat PGP/ECA	70	Gas	Pre-mix
Combat PGP/ECA	80	Gas	Pre-mix
Combat PGP/ECA	100	Gas	Pre-mix
Combat POP/ECA	15	Oil	Pressure Jet
Combat POP/ECA	20	Oil	Pressure Jet
Combat POP/ECA	30	Oil	Pressure Jet
Combat POP/ECA	40	Oil	Pressure Jet
Combat POP/ECA	50	Oil	Pressure Jet
Combat POP/ECA	60	Oil	Pressure Jet
Combat POP/ECA	70	Oil	Pressure Jet
Combat POP/ECA	80	Oil	Pressure Jet
Combat POP/ECA	100	Oil	Pressure Jet
Combat High Flow	HF30/40/50	Gas	Pressure Jet
Combat High Flow	HF30/40/50	Oil	Pressure Jet
Dual Air DAT	75/90/100/115	Gas	Pre-mix

ACV Boilers

Boiler		Boiler Operation	
<i>Model</i>	<i>Size</i>	<i>Fuel</i>	<i>Burner Type</i>
HeatMaster	30N	Oil/Gas	Pre-mix/Pressure Jet
HeatMaster	60N	Oil/Gas	Pre-mix/Pressure Jet
HeatMaster	70N	Oil/Gas	Pre-mix/Pressure Jet
HeatMaster	71	Gas	Pre-mix

Flue Size	Flue Route/RV Range	
Internal Dia mm	Internal	External
130mm	Prima Plus	Prima Plus/ICS
130mm	Prima Plus	Prima Plus/ICS
130mm	Prima Plus	Prima Plus/ICS
130mm	Prima Plus	Prima Plus/ICS
80mm	Prima Plus	Prima Plus/ICS
80mm	Prima Plus	Prima Plus/ICS
80mm	Prima Plus	Prima Plus/ICS
80mm	Prima Plus	Prima Plus/ICS
100mm	Prima Plus	Prima Plus/ICS
100mm	Prima Plus	Prima Plus/ICS
180mm	Prima Plus	Prima Plus/ICS
180mm	Prima Plus	Prima Plus/ICS
180mm	Prima Plus	Prima Plus/ICS
180mm	Prima Plus	Prima Plus/ICS
230mm	Prima Plus	Prima Plus/ICS
230mm	Prima Plus	Prima Plus/ICS
230mm	Prima Plus	Prima Plus/ICS
230mm	Prima Plus	Prima Plus/ICS
230mm	Prima Plus	Prima Plus/ICS
180mm	Prima Plus	Prima Plus/ICS
180mm	Prima Plus	Prima Plus/ICS
180mm	Prima Plus	Prima Plus/ICS
180mm	Prima Plus	Prima Plus/ICS
230mm	Prima Plus	Prima Plus/ICS
230mm	Prima Plus	Prima Plus/ICS
230mm	Prima Plus	Prima Plus/ICS
230mm	Prima Plus	Prima Plus/ICS
230mm	Prima Plus	Prima Plus/ICS
180mm	Prima Plus	Prima Plus/ICS
180mm	Prima Plus	Prima Plus/ICS
130mm	Prima Plus	Prima Plus/ICS

Flue Size	Flue Route/RV Range	
Flue Dia		
150mm	ICS	ICS
150mm	ICS	ICS
150mm	ICS	ICS
150mm	ICS	ICS

ACV Boilers (continued)

Boiler		Boiler Operation	
<i>Model</i>	<i>Size</i>	<i>Fuel</i>	<i>Burner Type</i>
HeatMaster	100N	Oil/Gas	Pre-mix/Pressure Jet
HeatMaster	101	Gas	Pre-mix
HeatMaster	200N	Oil/Gas	Pressure Jet
HeatMaster	201	Gas	Pre-mix
HeatMaster	35TC	Gas	Condensing
HeatMaster	85TC	Gas	Condensing
Delta Pro	25	Oil/Gas	Pre-mix/Pressure Jet
Delta Pro	45	Oil/Gas	Pre-mix/Pressure Jet
Delta Pro	55	Oil/Gas	Pre-mix/Pressure Jet
Prestige	24/32	Gas	Condensing
Prestige	50	Gas	Condensing
Prestige	75	Gas	Condensing
Prestige	120	Gas	Condensing
N	Mini	Oil/Gas	Pressure Jet
N	1	Oil/Gas	Pressure Jet
N	2	Oil/Gas	Pressure Jet
N	3	Oil/Gas	Pressure Jet
CA	100	Oil/Gas	Pressure Jet
CA	150	Oil/Gas	Pressure Jet
CA	200	Oil/Gas	Pressure Jet
CA	250	Oil/Gas	Pressure Jet
CA	300	Oil/Gas	Pressure Jet
CA	350	Oil/Gas	Pressure Jet
CA	400	Oil/Gas	Pressure Jet
CA	500	Oil/Gas	Pressure Jet
CA	600	Oil/Gas	Pressure Jet
CA	700	Oil/Gas	Pressure Jet
CA	800	Oil/Gas	Pressure Jet
CA	900	Oil/Gas	Pressure Jet
CA	1000	Oil/Gas	Pressure Jet

HOVAL

Boiler		Boiler Operation	
<i>Model</i>	<i>Size</i>	<i>Fuel</i>	<i>Burner Type</i>
UltraGas AM c	15	Gas	Pre-mix
UltraGas AM c	20	Gas	Pre-mix
UltraGas AM c	27	Gas	Pre-mix
UltraGas AM c	35	Gas	Pre-mix
UltraGas AM c	50	Gas	Pre-mix

Flue Size	Flue Route/RV Range	
Flue Dia		
150mm	ICS	ICS
150mm	ICS	ICS
250mm	ICS	ICS
250mm	ICS	ICS
80mm	Prima Plus	ICS Plus
100mm	Prima Plus	ICS Plus
100mm	ICS	ICS
100mm	ICS	ICS
100mm	ICS	ICS
80mm	Prima Plus	ICS Plus
100mm	Prima Plus	ICS Plus
100mm	Prima Plus	ICS Plus
100mm	Prima Plus	ICS Plus
80mm	ICS	ICS
130mm	ICS	ICS
130mm	ICS	ICS
150mm	ICS	ICS
200mm	ICS	ICS
200mm	ICS	ICS
200mm	ICS	ICS
250mm	ICS	ICS
250mm	ICS	ICS
250mm	ICS	ICS
300mm	ICS	ICS
300mm	ICS	ICS
355mm	ICS	ICS
355mm	ICS	ICS
455mm	ICS	ICS
455mm	ICS	ICS
455mm	ICS	ICS

Flue Size	Flue Route/RV Range	
Internal Dia mm	Internal	External
C100/150	Supplied By Hoval	Supplied By Hoval
C100/150	Supplied By Hoval	Supplied By Hoval
C100/150	Supplied By Hoval	Supplied By Hoval
C100/150	Supplied By Hoval	Supplied By Hoval
C100/150	Supplied By Hoval	Supplied By Hoval

HOVAL (continued)

Boiler		Boiler Operation	
<i>Model</i>	<i>Size</i>	<i>Fuel</i>	<i>Burner Type</i>
UltraGas AM c	70	Gas	Pre-mix
UltraGas AM c	90	Gas	Pre-mix
UltraGas AM c	125	Gas	Pre-mix
UltraGas AM c	150	Gas	Pre-mix
UltraGas AM c	200	Gas	Pre-mix
UltraGas AM c	250	Gas	Pre-mix
UltraGas AM c	300	Gas	Pre-mix
UltraGas AM c	350	Gas	Pre-mix
UltraGas AM c	400	Gas	Pre-mix
UltraGas AM c	450	Gas	Pre-mix
UltraGas AM c	500	Gas	Pre-mix
UltraGas AM c	575	Gas	Pre-mix
UltraGas AM c	650	Gas	Pre-mix
UltraGas AM c	720	Gas	Pre-mix
UltraGas AM c	850	Gas	Pre-mix
UltraGas AM c	250D	Gas	Pre-mix
UltraGas AM c	300D	Gas	Pre-mix
UltraGas AM c	400D	Gas	Pre-mix
UltraGas AM c	500D	Gas	Pre-mix
UltraGas AM c	600D	Gas	Pre-mix
UltraGas AM c	700D	Gas	Pre-mix
UltraGas AM c	800D	Gas	Pre-mix
UltraGas AM c	900D	Gas	Pre-mix
UltraGas AM c	1000D	Gas	Pre-mix
UltraGas AM c	1150D	Gas	Pre-mix
UltraGas AM c	1300D	Gas	Pre-mix
UltraGas AM c	1440D	Gas	Pre-mix
UltraGas AM c	1700D	Gas	Pre-mix
MultiJet	16	Oil	Pressure Jet
MultiJet	20	Oil	Pressure Jet
MultiJet	25	Oil	Pressure Jet
UltraOil	35	Oil	Pressure Jet
UltraOil	50	Oil	Pressure Jet
UltraOil	80	Oil	Pressure Jet
AtmoGas AG	AG55	Gas	Atmospheric
AtmoGas AG	AG64	Gas	Atmospheric
AtmoGas AG	AG71	Gas	Atmospheric
AtmoGas AG	AG82	Gas	Atmospheric
AtmoGas AG	AG91	Gas	Atmospheric

HOVAL (continued)

Boiler		Boiler Operation	
<i>Model</i>	<i>Size</i>	<i>Fuel</i>	<i>Burner Type</i>
AtmoGas AG	AG100	Gas	Atmospheric
AtmoGas AG	AG109	Gas	Atmospheric
AtmoGas AG	AG118	Gas	Atmospheric
AtmoGas AG	AG142	Gas	Atmospheric
AtmoGas AG	AG162	Gas	Atmospheric
AtmoGas AG	AG182	Gas	Atmospheric
AtmoGas AG	AG202	Gas	Atmospheric
AtmoGas AG	AG222	Gas	Atmospheric
AtmoGas AG	AG262	Gas	Atmospheric
AtmoGas AG	AG302	Gas	Atmospheric
AtmoGas AG	AG342	Gas	Atmospheric
AtmoGas AG	AG382	Gas	Atmospheric
AtmoGas AG Low NOx	AG55-LN	Gas	Atmospheric
AtmoGas AG Low NOx	AG64-LN	Gas	Atmospheric
AtmoGas AG Low NOx	AG71-LN	Gas	Atmospheric
AtmoGas AG Low NOx	AG82-LN	Gas	Atmospheric
AtmoGas AG Low NOx	AG91-LN	Gas	Atmospheric
AtmoGas AG Low NOx	AG100-LN	Gas	Atmospheric
AtmoGas AG Low NOx	AG109-LN	Gas	Atmospheric
AtmoGas AG Low NOx	AG118-LN	Gas	Atmospheric
AtmoGas AG Low NOx	AG126-LN	Gas	Atmospheric
AtmoGas AG Low NOx	AG144-LN	Gas	Atmospheric
AtmoGas AG Low NOx	AG162-LN	Gas	Atmospheric
AtmoGas AG Low NOx	AG180-LN	Gas	Atmospheric
AtmoGas AG Low NOx	AG198-LN	Gas	Atmospheric
AtmoGas AG Low NOx	AG234-LN	Gas	Atmospheric
AtmoGas AG Low NOx	AG270-LN	Gas	Atmospheric
AtmoGas AG Low NOx	AG306-LN	Gas	Atmospheric
AtmoGas AG Low NOx	AG342-LN	Gas	Atmospheric
Mini-3	18	Gas/Oil	Pressure Jet
Mini-3	25	Gas/Oil	Pressure Jet
Mini-3	32	Gas/Oil	Pressure Jet
Mini-3	36	Gas/Oil	Pressure Jet
Mini-3	39	Gas/Oil	Pressure Jet
Uno-3	50	Gas/Oil	Pressure Jet
Uno-3	62	Gas/Oil	Pressure Jet
Uno-3	75	Gas/Oil	Pressure Jet
Uno-3	90	Gas/Oil	Pressure Jet
Uno-3	110	Gas/Oil	Pressure Jet

Flue Size	Flue Route/RV Range	
<i>Internal Dia mm</i>	<i>Internal</i>	<i>External</i>
200mm	Commercial B Vent	ICS
220mm	Commercial B Vent	ICS
220mm	Commercial B Vent	ICS
250mm	Commercial B Vent	ICS
250mm	Commercial B Vent	ICS
300mm	Commercial B Vent	ICS
300mm	Commercial B Vent	ICS
300mm	Commercial B Vent	ICS
355mm	Commercial B Vent	ICS
355mm	Commercial B Vent	ICS
355mm	Commercial B Vent	ICS
405mm	Commercial B Vent	ICS
180mm	Commercial B Vent	ICS
180mm	Commercial B Vent	ICS
180mm	Commercial B Vent	ICS
200mm	Commercial B Vent	ICS
200mm	Commercial B Vent	ICS
200mm	Commercial B Vent	ICS
220mm	Commercial B Vent	ICS
220mm	Commercial B Vent	ICS
250mm	Commercial B Vent	ICS
250mm	Commercial B Vent	ICS
300mm	Commercial B Vent	ICS
300mm	Commercial B Vent	ICS
300mm	Commercial B Vent	ICS
355mm	ICS	ICS
355mm	ICS	ICS
355mm	ICS	ICS
405mm	ICS	ICS
130mm	ICS	ICS
130mm	ICS	ICS
130mm	ICS	ICS
130mm	ICS	ICS
130mm	ICS	ICS
150mm	ICS	ICS
150mm	ICS	ICS
150mm	ICS	ICS
150mm	ICS	ICS
180mm	ICS	ICS

HOVAL (continued)

Boiler		Boiler Operation	
<i>Model</i>	<i>Size</i>	<i>Fuel</i>	<i>Burner Type</i>
Uno-3	125	Gas/Oil	Pressure Jet
Uno-3	150	Gas/Oil	Pressure Jet
Uno-3	175	Gas/Oil	Pressure Jet
Uno-3	220	Gas/Oil	Pressure Jet
Uno-3	250	Gas/Oil	Pressure Jet
Uno-3	280	Gas/Oil	Pressure Jet
Equinox	406	Gas/Oil	Pressure Jet
Equinox	464	Gas/Oil	Pressure Jet
Equinox	522	Gas/Oil	Pressure Jet
Equinox	580	Gas/Oil	Pressure Jet
Equinox	638	Gas/Oil	Pressure Jet
Equinox	696	Gas/Oil	Pressure Jet
Equinox	754	Gas/Oil	Pressure Jet
Equinox	812	Gas/Oil	Pressure Jet
Equinox	870	Gas/Oil	Pressure Jet
Equinox	928	Gas/Oil	Pressure Jet
Equinox	986	Gas/Oil	Pressure Jet
Equinox	1044	Gas/Oil	Pressure Jet
Equinox	1102	Gas/Oil	Pressure Jet
Equinox	1160	Gas/Oil	Pressure Jet
SR-plus	50	Gas/Oil	Pressure Jet
SR-plus	75	Gas/Oil	Pressure Jet
SR-plus	100	Gas/Oil	Pressure Jet
SR-plus	125	Gas/Oil	Pressure Jet
SR-plus	150	Gas/Oil	Pressure Jet
SR-plus	175	Gas/Oil	Pressure Jet
SR-plus	200	Gas/Oil	Pressure Jet
SR-plus	225	Gas/Oil	Pressure Jet
SR-plus	250	Gas/Oil	Pressure Jet
SR-plus	275	Gas/Oil	Pressure Jet
SR-plus	300	Gas/Oil	Pressure Jet
SR-plus	325	Gas/Oil	Pressure Jet
SR-plus	350	Gas/Oil	Pressure Jet
SR-plus	400	Gas/Oil	Pressure Jet
SR-plus	500	Gas/Oil	Pressure Jet
SR-plus	600	Gas/Oil	Pressure Jet
SR-plus	700	Gas/Oil	Pressure Jet
SR-plus	800	Gas/Oil	Pressure Jet
SR-plus	900	Gas/Oil	Pressure Jet

Flue Size	Flue Route/RV Range	
<i>Internal Dia mm</i>	<i>Internal</i>	<i>External</i>
180mm	ICS	ICS
180mm	ICS	ICS
200mm	ICS	ICS
200mm	ICS	ICS
250mm	ICS	ICS
250mm	ICS	ICS
300mm	ICS	ICS
300mm	ICS	ICS
300mm	ICS	ICS
355mm	ICS	ICS
355mm	ICS	ICS
355mm	ICS	ICS
355mm	ICS	ICS
405mm	ICS	ICS
405mm	ICS	ICS
405mm	ICS	ICS
405mm	ICS	ICS
405mm	ICS	ICS
405mm	ICS	ICS
405mm	ICS	ICS
405mm	ICS	ICS
180mm	ICS	ICS
180mm	ICS	ICS
180mm	ICS	ICS
180mm	ICS	ICS
200mm	ICS	ICS
200mm	ICS	ICS
200mm	ICS	ICS
200mm	ICS	ICS
230mm	ICS	ICS
230mm	ICS	ICS
230mm	ICS	ICS
230mm	ICS	ICS
230mm	ICS	ICS
230mm	ICS	ICS
230mm	ICS	ICS
250mm	ICS	ICS
250mm	ICS	ICS
300mm	ICS	ICS
300mm	ICS	ICS
300mm	ICS	ICS

HOVAL (continued)

Boiler		Boiler Operation	
<i>Model</i>	<i>Size</i>	<i>Fuel</i>	<i>Burner Type</i>
SR-plus	1000	Gas/Oil	Pressure Jet
SR-plus	1100	Gas/Oil	Pressure Jet
SR-plus	1200	Gas/Oil	Pressure Jet
SR-plus	1300	Gas/Oil	Pressure Jet
SR-plus	1400	Gas/Oil	Pressure Jet
SR-plus	1500	Gas/Oil	Pressure Jet
SR-plus	1750	Gas/Oil	Pressure Jet
SR-plus	2000	Gas/Oil	Pressure Jet
SR-plus	2250	Gas/Oil	Pressure Jet
SR-plus	2500	Gas/Oil	Pressure Jet
SR-plus	2750	Gas/Oil	Pressure Jet
SR-plus	3000	Gas/Oil	Pressure Jet
Cosmo	175	Gas/Oil	Pressure Jet
Cosmo	240	Gas/Oil	Pressure Jet
Cosmo	290	Gas/Oil	Pressure Jet
Cosmo	350	Gas/Oil	Pressure Jet
Cosmo	410	Gas/Oil	Pressure Jet
Cosmo	465	Gas/Oil	Pressure Jet
Cosmo	585	Gas/Oil	Pressure Jet
Cosmo	700	Gas/Oil	Pressure Jet
Cosmo	850	Gas/Oil	Pressure Jet
Cosmo	950	Gas/Oil	Pressure Jet
Cosmo	1050	Gas/Oil	Pressure Jet
Cosmo	1200	Gas/Oil	Pressure Jet
Cosmo	1450	Gas/Oil	Pressure Jet
Cosmo	1800	Gas/Oil	Pressure Jet
Cosmo	2000	Gas/Oil	Pressure Jet
Cosmo	2500	Gas/Oil	Pressure Jet
Cosmo	3000	Gas/Oil	Pressure Jet
Cosmo	3500	Gas/Oil	Pressure Jet
Cosmo	4000	Gas/Oil	Pressure Jet
DF Water Heater	115	Gas	Atmospheric
	165	Gas	Atmospheric
	225	Gas	Atmospheric
	300	Gas	Atmospheric

Flue Size	Flue Route/RV Range	
<i>Internal Dia mm</i>	<i>Internal</i>	<i>External</i>
355mm	ICS	ICS
355mm	ICS	ICS
355mm	ICS	ICS
405mm	ICS	ICS
405mm	ICS	ICS
405mm	ICS	ICS
405mm	ICS	ICS
455mm	ICS	ICS
455mm	ICS	ICS
455mm	ICS	ICS
505mm	ICS	ICS
505mm	ICS	ICS
250mm	ICS	ICS
250mm	ICS	ICS
250mm	ICS	ICS
300mm	ICS	ICS
300mm	ICS	ICS
300mm	ICS	ICS
355mm	ICS	ICS
355mm	ICS	ICS
355mm	ICS	ICS
405mm	ICS	ICS
405mm	ICS	ICS
405mm	ICS	ICS
405mm	ICS	ICS
455mm	ICS	ICS
455mm	ICS	ICS
455mm	ICS	ICS
655mm	ICS	ICS
655mm	ICS	ICS
655mm	ICS	ICS
130mm	B Vent	K Vent/ICS
150mm	B Vent	K Vent/ICS
180mm	Commercial B Vent	ICS
230mm	Commercial B Vent	ICS

HAMWORTHY HEATING LTD

Boiler		Boiler Operation	
<i>Model</i>	<i>Size</i>	<i>Fuel</i>	<i>Burner Type</i>
Purewell Integra	PI 40, 70, 100	Gas	Atmospheric
Purewell Classic	PC 40, 50, 60, 70, 80	Gas	Atmospheric
	PC 95, 105, 120	Gas	Atmospheric
Purewell Variheat he	PV 65he, 85he, 105he, 125he	Nat. Gas	Modulating Pre-mix
Purewell Variheat c	PV 70c, 95c, 110c, 140c, 180c	Nat. Gas	Condensing
Warmwell	W 60, 80, 95, 120, 140	Gas	Condensing
Sherborne SE (Flue System Type B23 Only)	S 65	Gas	Modulating Pre-mix
Sherborne SE (Condensing) (Flue System Type B23 Only)	S 70c	Gas	Condensing
Wessex HE 50	1 x 50H	Gas	Pre-mix
	2 x 50H	Gas	Pre-mix
	3 50H	Gas	Pre-mix
Wessex HE Compact	50kW Modules	Gas	Pre-mix
Wessex HE 200	200	Gas	Pre-mix
Wessex HE County	200, 400	Gas	Pre-mix
Wessex 100M Series	M100	Gas	Pre-mix
	M200	Gas	Pre-mix
	M300	Gas	Pre-mix
Wessex Modumax he Series	WM 110he/110	Nat. Gas	Modulating Pre-mix
	WM 110he/220	Nat. Gas	Modulating Pre-mix
	WM 110he/330	Nat. Gas	Modulating Pre-mix
	WM160 he/160	Nat. Gas	Modulating Pre-mix
	WM 160 he/320	Nat. Gas	Modulating Pre-mix
	WM 160 he/480	Nat. Gas	Modulating Pre-mix
	WM 220 he/220	Nat. Gas	Modulating Pre-mix
	WM 220 he/440	Nat. Gas	Modulating Pre-mix
	WM 220 he/660	Nat. Gas	Modulating Pre-mix
Wessex Modumax c Series	WM 100c/100	Nat. Gas	Condensing
	WM 100c/200	Nat. Gas	Condensing
	WM 100c/300	Nat. Gas	Condensing
	WM 120c/120	Nat. Gas	Condensing
	WM 120c/240	Nat. Gas	Condensing
	WM 120c/360	Nat. Gas	Condensing
	WM 150c/150	Nat. Gas	Condensing
	WM 150c/300	Nat. Gas	Condensing
	WM 150c/450	Nat. Gas	Condensing
	WM 200c/200	Nat. Gas	Condensing
	WM 200c/400	Nat. Gas	Condensing

Flue Size	Flue Route/RV Range	
<i>Internal Dia mm</i>	<i>Internal</i>	<i>External</i>
200mm	Commercial B Vent	ICS
200mm	Commercial B Vent	ICS
250mm	Commercial B Vent	ICS
100mm	Prima Plus/ICS Plus	ICS Plus
150mm	Prima Plus/ICS Plus	ICS Plus
150mm	Prima Plus/ICS Plus	ICS Plus
100mm	Supplied by Hamworthy	Supplied by Hamworthy
100mm	Supplied by Hamworthy	Supplied by Hamworthy
180mm	ICS	ICS
230mm	ICS	ICS
300mm	ICS	ICS
250mm each Module	ICS	ICS
355mm	ICS	ICS
355mm	ICS	ICS
100mm	ICS	ICS
150mm	ICS	ICS
200mm	ICS	ICS
100mm	ICS	ICS
180mm	ICS	ICS
180mm	ICS	ICS
150mm	ICS	ICS
250mm	ICS	ICS
250mm	ICS	ICS
150mm	ICS	ICS
250mm	ICS	ICS
250mm	ICS	ICS
100mm	Prima Plus/ICS Plus	ICS Plus
180mm	Prima Plus/ICS Plus	ICS Plus
180mm	Prima Plus/ICS Plus	ICS Plus
100mm	Prima Plus/ICS Plus	ICS Plus
180mm	Prima Plus/ICS Plus	ICS Plus
180mm	Prima Plus/ICS Plus	ICS Plus
150mm	Prima Plus/ICS Plus	ICS Plus
250mm	Prima Plus/ICS Plus	ICS Plus
250mm	Prima Plus/ICS Plus	ICS Plus
150mm	Prima Plus/ICS Plus	ICS Plus
250mm	Prima Plus/ICS Plus	ICS Plus

HAMWORTHY HEATING LTD (continued)

Boiler		Boiler Operation	
<i>Model</i>	<i>Size</i>	<i>Fuel</i>	<i>Burner Type</i>
Wessex Modumax c Series	WM 200c/600	Nat. Gas	Condensing
	WM 250c/250	Nat. Gas	Condensing
	WM 250c/500	Nat. Gas	Condensing
	WM 250c/750	Nat. Gas	Condensing
Lilliput HE	HE 40	Gas/Oil	Pressure Jet
	HE 65, 90	Gas/Oil	Pressure Jet
Broadstone S	S 110, 120, 130	N. Gas/Oil	Pressure Jet
Shaftesbury Slimline	S 150, 190, 220, 250, 270, 290	N. Gas/Oil	Pressure Jet
Shaftesbury HE	HE 110, 150, 190, 220, 250,	Gas/Oil	Pressure Jet
	280, 310, 340, 370, 400		
Wimborne GM	GM 6,7,8,9	N. Gas/Oil	Pressure Jet
	GM 10,11,12,13,14,15	N. Gas/Oil	Pressure Jet
Ansty	AS75, 90, 120	Nat. Gas	Condensing
	AS160, 220	Nat. Gas	Condensing
	AS270, 320	Nat. Gas	Condensing
Dorchester DR-LP	30, 40	Gas	Atmospheric
	45, 60	Gas	Atmospheric
	75, 95, 110	Gas	Atmospheric
Dorchester DR-LA	30, 40	Gas	Atmospheric
	45, 60	Gas	Atmospheric
	75, 95	Gas	Atmospheric
Dorchester DR-SE and DR-SA	16, 19	Gas	Atmospheric
Dorchester DR-PF	55	Gas/Oil	Pressure Jet
	65, 75, 95, 115	Gas/Oil	Pressure Jet
	145	Gas/Oil	Pressure Jet

BROAG REMEHA

Boiler		Boiler Operation	
<i>Model</i>	<i>Size</i>	<i>Fuel</i>	<i>Burner Type</i>
Avanta Wall Hung System Boiler	12 V, 18 V, 24V	Gas/LPG	Condensing
Avanta Wall Hung System Boiler	18 S, 24 S, 30S	Gas/LPG	Condensing
Avanta Wall Hung Combination Boiler	28 C	Gas/LPG	Condensing
Avanta Wall Hung Combination Boiler	35 C	Gas/LPG	Condensing
Avanta Wall Hung Combination Boiler	39 C	Gas/LPG	Condensing
Quinta Wall Hung System Boiler	30	Gas/LPG	Condensing
Quinta Wall Hung System Boiler	45	Gas/LPG	Condensing
Quinta Wall Hung System Boiler	65	Gas/LPG	Condensing
Quinta Wall Hung System Boiler	85 (Cascade Available)	Gas/LPG	Condensing
Quinta Wall Hung System Boiler	115 (Cascade Available)	Gas/LPG	Condensing

Flue Size	Flue Route/RV Range	
<i>Internal Dia mm</i>	<i>Internal</i>	<i>External</i>
250mm	Prima Plus/ICS Plus	ICS Plus
150mm	Prima Plus/ICS Plus	ICS Plus
250mm	Prima Plus/ICS Plus	ICS Plus
250mm	Prima Plus/ICS Plus	ICS Plus
150mm	ICS	ICS
180mm	ICS	ICS
200mm	ICS	ICS
250mm	ICS	ICS
180mm	ICS	ICS
250mm	ICS	ICS
355mm	ICS	ICS
150mm	Prima Plus/ICS Plus	ICS Plus
180mm	Prima Plus/ICS Plus	ICS Plus
200mm	Prima Plus/ICS Plus	ICS Plus
150mm	B Vent	K Vent/ICS
180mm	Commercial B Vent	ICS
230mm	Commercial B Vent	ICS
150mm	B Vent	K Vent/ICS
180mm	Commercial B Vent	ICS
230mm	Commercial B Vent	ICS
130mm	B Vent	K Vent/ICS
150mm	ICS	ICS
200mm	ICS	ICS
250mm	ICS	ICS

Flue Size	Flue Route/RV Range	
<i>Internal Dia mm</i>	<i>Internal</i>	<i>External</i>
60/100 or 80/125	Supplied by Broag	Supplied by Broag
60/100 or 80/125	Supplied by Broag	Supplied by Broag
60/100 or 80/125	Supplied by Broag	Supplied by Broag
60/100 or 80/125	Supplied by Broag	Supplied by Broag
60/100 or 80/125	Supplied by Broag	Supplied by Broag
100mm	Prima Plus/ICS Plus	ICS Plus
100mm	Prima Plus/ICS Plus	ICS Plus
100mm	Prima Plus/ICS Plus	ICS Plus
100mm	Prima Plus/ICS Plus	ICS Plus
110mm	Prima Plus/ICS Plus	ICS Plus

BROAG REMEHA (continued)

Boiler		Boiler Operation	
<i>Model</i>	<i>Size</i>	<i>Fuel</i>	<i>Burner Type</i>
Gas 110 ECO	65 (Cascade Available)	Gas/LPG	Condensing
Gas 110 ECO	115 (Cascade Available)	Gas/LPG	Condensing
Gas 210 ECO Pro	3	Gas	Condensing
Gas 210 ECO Pro	4	Gas	Condensing
Gas 210 ECO Pro	5	Gas	Condensing
Gas 210 ECO Pro	6	Gas	Condensing
Gas 310 ECO	5	Gas	Condensing
Gas 310 ECO	6	Gas	Condensing
Gas 310 ECO	7	Gas	Condensing
Gas 310 ECO	8	Gas	Condensing
Gas 310 ECO	9	Gas	Condensing
Gas 610 ECO	6	Gas	Condensing
Gas 610 ECO	7	Gas	Condensing
Gas 610 ECO	8	Gas	Condensing
Gas 610 ECO	9	Gas	Condensing
Gas 360	8	Gas/Opt LPG	Atmospheric
Gas 360	10	Gas/Opt LPG	Atmospheric
Gas 360	12	Gas/Opt LPG	Atmospheric
Gas 360	14	Gas/Opt LPG	Atmospheric
Gas 460	8	Gas	Atmospheric
Gas 460	10	Gas	Atmospheric
Gas 460	12	Gas	Atmospheric
Gas 460	14	Gas	Atmospheric
Gas 460	16	Gas	Atmospheric
Gas 460	18	Gas	Atmospheric
Gas 460	20	Gas	Atmospheric
P320	4	Gas/LPG/Oil/Dual	Pressure Jet
P320	5	Gas/LPG/Oil/Dual	Pressure Jet
P320	6	Gas/LPG/Oil/Dual	Pressure Jet
P320	7	Gas/LPG/Oil/Dual	Pressure Jet
P320	8	Gas/LPG/Oil/Dual	Pressure Jet
P320	9	Gas/LPG/Oil/Dual	Pressure Jet
P420	8	Gas/LPG/Oil/Dual	Pressure Jet
P420	9	Gas/LPG/Oil/Dual	Pressure Jet
P420	10	Gas/LPG/Oil/Dual	Pressure Jet
P420	11	Gas/LPG/Oil/Dual	Pressure Jet
P420	12	Gas/LPG/Oil/Dual	Pressure Jet
P420	13	Gas/LPG/Oil/Dual	Pressure Jet
P420	14	Gas/LPG/Oil/Dual	Pressure Jet

Flue Size	Flue Route/RV Range	
<i>Internal Dia mm</i>	<i>Internal</i>	<i>External</i>
100mm	Prima Plus/ICS Plus	ICS Plus
100mm	Prima Plus/ICS Plus	ICS Plus
150mm	Prima Plus/ICS Plus	ICS Plus
150mm	Prima Plus/ICS Plus	ICS Plus
150mm	Prima Plus/ICS Plus	ICS Plus
150mm	Prima Plus/ICS Plus	ICS Plus
250mm	Prima Plus/ICS Plus	ICS Plus
250mm	Prima Plus/ICS Plus	ICS Plus
250mm	Prima Plus/ICS Plus	ICS Plus
250mm	Prima Plus/ICS Plus	ICS Plus
250mm	Prima Plus/ICS Plus	ICS Plus
250mm	Prima Plus/ICS Plus	ICS Plus
355mm	Prima Plus/ICS Plus	ICS Plus
355mm	Prima Plus/ICS Plus	ICS Plus
355mm	Prima Plus/ICS Plus	ICS Plus
355mm	Prima Plus/ICS Plus	ICS Plus
180mm	Commercial B Vent	ICS
200mm	Commercial B Vent	ICS
200mm	Commercial B Vent	ICS
225mm	Commercial B Vent	ICS
250mm	Commercial B Vent	ICS
300mm	Commercial B Vent	ICS
300mm	Commercial B Vent	ICS
355mm	ICS	ICS
355mm	ICS	ICS
355mm	ICS	ICS
405mm	ICS	ICS
180mm	ICS	ICS
180mm	ICS	ICS
180mm	ICS	ICS
200mm	ICS	ICS
200mm	ICS	ICS
200mm	ICS	ICS
250mm	ICS	ICS
250mm	ICS	ICS
250mm	ICS	ICS
300mm	ICS	ICS
300mm	ICS	ICS
300mm	ICS	ICS
300mm	ICS	ICS

BROAG REMEHA (continued)

Boiler		Boiler Operation	
<i>Model</i>	<i>Size</i>	<i>Fuel</i>	<i>Burner Type</i>
P520	13	Gas/LPG/Oil/Dual	Pressure Jet
P520	15	Gas/LPG/Oil/Dual	Pressure Jet
P520	17	Gas/LPG/Oil/Dual	Pressure Jet
P520	19	Gas/LPG/Oil/Dual	Pressure Jet
P520	21	Gas/LPG/Oil/Dual	Pressure Jet
P520	23	Gas/LPG/Oil/Dual	Pressure Jet
P520	25	Gas/LPG/Oil/Dual	Pressure Jet
Biomass	HPK RA 15	Wood Chip/Pellet	Auger Feed
Biomass	HPK RA 20	Wood Chip/Pellet	Auger Feed
Biomass	HPK RA 25	Wood Chip/Pellet	Auger Feed
Biomass	HPK RA 30	Wood Chip/Pellet	Auger Feed
Biomass	HPK RA 35	Wood Chip/Pellet	Auger Feed
Biomass	HPK RA 40	Wood Chip/Pellet	Auger Feed
Biomass	HPK RA 45	Wood Chip/Pellet	Auger Feed
Biomass	HPK RA 49	Wood Chip/Pellet	Auger Feed
Biomass	HPK RA 60	Wood Chip/Pellet	Auger Feed
Biomass	HPK RA 70	Wood Chip/Pellet	Auger Feed
Biomass	HPK RA 75	Wood Chip/Pellet	Auger Feed
Biomass	HPK RA 85	Wood Chip/Pellet	Auger Feed
Biomass	HPK RA 95	Wood Chip/Pellet	Auger Feed
Biomass	HPK RA 100	Wood Chip/Pellet	Auger Feed
Biomass	HPK RA 120	Wood Chip/Pellet	Auger Feed
Biomass	HPK RA 145	Wood Chip/Pellet	Auger Feed

BOSS Water Heaters

Boiler		Boiler Operation	
<i>Model</i>	<i>Size</i>	<i>Fuel</i>	<i>Burner Type</i>
BRV	30 NORS	Gas/LPG	ATMOS
BRV	40 NORS	Gas/LPG	ATMOS
BRV	50 NRRT	Gas/LPG	ATMOS
BCT	75-75	Gas/LPG	ATMOS
BCE/BCT	100-95	Gas/LPG	ATMOS
BCE/BCT	80-140	Gas/LPG	ATMOS
BCE/BCT	80-180	Gas/LPG	ATMOS
BCE/BCT	95-260	Gas/LPG	ATMOS
BCE/BCT	70-360	Gas/LPG	ATMOS
BCE/BCT	65-400	Gas/LPG	ATMOS
BCE/BCT	65-500	Gas/LPG	ATMOS
BOF	85-220	Oil	PRESSURE JET

Flue Size	Flue Route/RV Range	
<i>Internal Dia mm</i>	<i>Internal</i>	<i>External</i>
355mm	ICS	ICS
405mm	ICS	ICS
405mm	ICS	ICS
405mm	ICS	ICS
405mm	ICS	ICS
405mm	ICS	ICS
405mm	ICS	ICS
405mm	ICS	ICS
180mm	ICS	ICS
180mm	ICS	ICS
180mm	ICS	ICS
180mm	ICS	ICS
180mm	ICS	ICS
180mm	ICS	ICS
180mm	ICS	ICS
180mm	ICS	ICS
200mm	ICS	ICS
200mm	ICS	ICS
200mm	ICS	ICS
200mm	ICS	ICS
200mm	ICS	ICS
200mm	ICS	ICS
200mm	ICS	ICS
250mm	ICS	ICS
250mm	ICS	ICS
250mm	ICS	ICS

Flue Size	Flue Route/RV Range	
<i>Internal Dia mm</i>	<i>Internal</i>	<i>External</i>
80mm	B Vent	K Vent/ICS
80mm	B Vent	K Vent/ICS
100mm	B Vent	K Vent/ICS
130mm	B Vent	K Vent/ICS
130mm	B Vent	K Vent/ICS
130mm	B Vent	K Vent/ICS
150mm	B Vent	K Vent/ICS
180mm	Commercial B Vent	ICS
200mm	Commercial B Vent	ICS
250mm	Commercial B Vent	ICS
250mm	Commercial B Vent	ICS
150mm	ICS	ICS

BOSS Water Heaters (continued)

Boiler		Boiler Operation	
<i>Model</i>	<i>Size</i>	<i>Fuel</i>	<i>Burner Type</i>
BOF	85-300	Oil	PRESSURE JET
BOF	75-470	Oil	PRESSURE JET
BOF	70-700	Oil	PRESSURE JET

Vaillant

Boiler		Boiler Operation	
<i>Model</i>	<i>Size</i>	<i>Fuel</i>	<i>Burner Type</i>
ecoTEC	46, 65	Gas	Condensing
ecoCRAFT	VKK806, VKK1206, VKK1606	Gas	Condensing
	VKK2006, VKK2406, VKK2806	Gas	Condensing
atmoCRAFT	VK654	Gas	Atmospheric
	VK754, VK854	Gas	Atmospheric
	VK1054, VK1154	Gas	Atmospheric
	VK1304, VK1504	Gas	Atmospheric
	VK1654	Gas	Atmospheric

Flue Size	Flue Route/RV Range	
<i>Internal Dia mm</i>	<i>Internal</i>	<i>External</i>
200mm	ICS	ICS
200mm	ICS	ICS
250mm	ICS	ICS

Flue Size	Flue Route/RV Range	
<i>Internal Dia mm</i>	<i>Internal</i>	<i>External</i>
80/125mm	Supplied by Vaillant	Supplied by Vaillant
150mm	Prima Plus/ICS Plus	ICS Plus
200mm	Prima Plus/ICS Plus	ICS Plus
180mm	Commercial B Vent	ICS
200mm	Commercial B Vent	ICS
225mm	Commercial B Vent	ICS
250mm	Commercial B Vent	ICS
300mm	Commercial B Vent	ICS

Welcome to Schiedel Rite-Vent

Schiedel Rite-Vent

Home

- Residential Flues
- Commercial Flues
- Information
- Contact Schiedel
- News
- Jobs & Careers

SPECIALIST INTEREST



Renovation
Specifiers & Heating
Engineers
Stoves/Open Fires

DESIGNED WITH YOU IN MIND

- **The Schiedel website has sections specifically created for specifiers, heating engineers, merchants and individuals.**
- **Easy to use selection guides to help you choose the right flue.**
- **Guidance on secondary heating.**
- **Separate sections for Residential and Commercial flues.**
- **Guidance notes on chimney design and an overview of the building regulations.**
- **Sign-up for regular updates.**

Visit the site at:
www.schiedel.co.uk

NEWS

Schiedel Rite-Vent Commercial Brochure
The new Commercial Systems brochure



HOUSE OF FLUES



An interactive guide to help you select the best flue for each appliance around the home.

www.schiedel.co.uk